

F E A T U R E S

The VT Series assemblies combine tank and valve enclosure in one. Components under cover include: valve, tank, filter, breather, sensors, electrical connections, and hose end fittings. Valve tank enclosure offers more protection with improved serviceability.

- **Integral Valve and Reservoir**
- **Removable Cover**
 - Easy maintenance and maximum component protection
- **Passive Seal**
- **Three Point Mounting**
 - Prevents tank failures caused by frame flex
- **Swing-Out Valve Mounting**
 - Easy access for maintenance and hose replacement
- **High Capacity 5 Micron Filtration**
 - Exceeds most requirements with extended fluid life
- **External Mounted Sight Gauge**
 - Simple fluid level monitoring
- **High Capacity Suction Strainer**
 - Protects pump
- **Uses Add-a-Stack® or Add-a-Fold® Actuation with Cable, Air, or Electronic Controls**



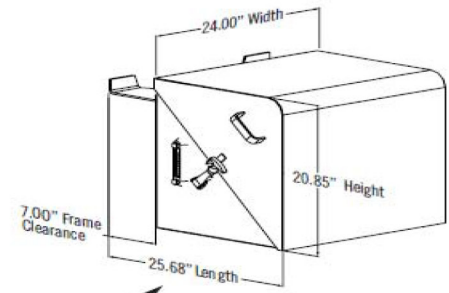
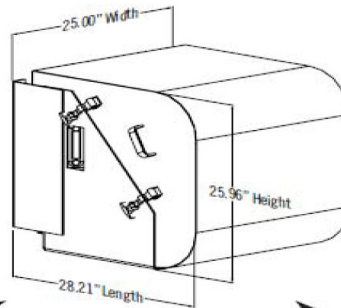
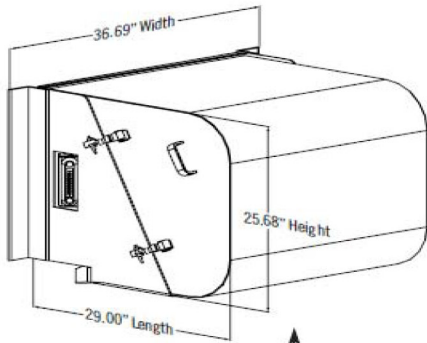
Manufactured by
FORCE America, Inc.
U.S. Patent Numbers
6,688,328 and 6782,915

Product Specifications

VT35 - 35 Gallon Reservoir

VT25 - 25 Gallon Reservoir

VT15 - 15 Gallon Reservoir



Large Valve Specifications

Small Valve Specifications

4020 Add-a-Fold™
Electric Actuated
Use in: VT25 - VT35

Flow Range.....	40 gpm
Operating Pressure (maximum).....	std 3000 psi cont. opt 4500 psi int.
Tank Pressure (maximum).....	500 psi
Seals.....	BUNA-N
Duty Cycle.....	100%
Coil Resistance.....	6.5 ohms
Current Rating.....	2 amps
Frequency.....	50 hz

2010 Add-a-Fold™
Electric Actuated
Use in: VT15 - VT25

Flow Range.....	20 gpm
Operating Pressure (maximum).....	3000 psi
Tank Pressure (maximum).....	1000 psi
Seals.....	BUNA-N
Duty Cycle.....	100%
Coil Resistance.....	4.7 ohms
Current Rating.....	2.5 amps
Frequency.....	100 hz

4020 Add-a-Stack™
Manual Actuated
Use in: VT25 - VT35

Flow Range.....	40 gpm
Operating Pressure (maximum).....	3500 psi
Tank Pressure (maximum).....	1000 psi
Seals.....	BUNA-N
Duty Cycle.....	100%
Coil Resistance.....	4.7 ohms
Current Rating.....	2.5 amps
Frequency.....	100 hz

2512 Add-a-Stack™
Manual Actuated
Use in: VT15 - VT25

Flow Range.....	25 gpm
Operating Pressure (maximum).....	3500 psi
Tank Pressure (maximum).....	360 psi
Seals.....	BUNA-N
Duty Cycle.....	100%
Coil Resistance.....	4.7 ohms
Current Rating.....	2.5 amps
Frequency.....	100 hz



501 East Cliff Road
 Burnsville, MN 55337
 888-99FORCE
 www.forceamerica.com

© 2012 FORCE America, Inc.
 Part Number: FA508 04/17/12

Sales and Service Centers

Bismarck, ND	800-624-7568	Fort Dodge, IA	800-362-2994
Charlotte, NC	800-788-8598	Kansas City, MO	800-383-4724
Chicago, IL	800-433-5765	Milwaukee, WI	800-722-5844
Columbus, OH	888-449-0356	Minneapolis, MN	800-328-2732
Dallas, TX	800-893-7225	Philadelphia, PA	800-492-6621
Denver, CO	888-833-7711	Salt Lake City, UT	877-230-0505