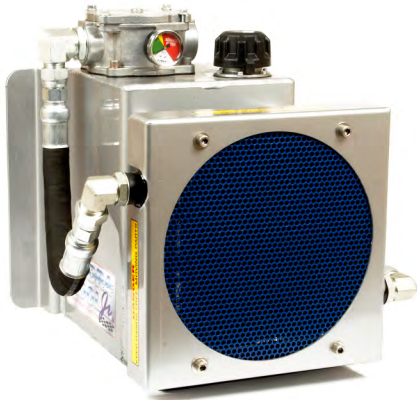


## F E A T U R E S

Hydra - Kool is an all aluminum, lightweight, compact Cooler - Filter - Reservoir system. The ideal solution for mobile hydraulic applications where weight reduction is vital to reducing fuel consumption.

The Hydra-Kool includes the following items:

- Oil cooler with hydraulic or electric driven fan
- High flow integral 10 micron filter
- 4 or 8 gallon reservoir capacity
- Sight-temperature gauge
- (2) 1-1/4" suction strainers w/by-pass
- 10 micron filler-breather
- Filter element condition indicator
- 1" I.D. line size
- Half the dry weight of any other brand!



HK4-20, 4 Gallon Reservoir

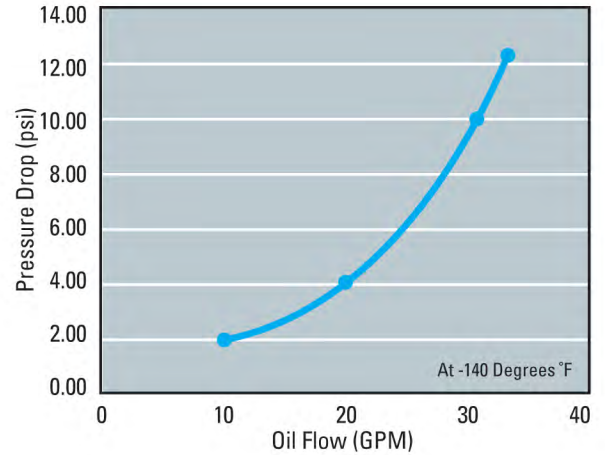
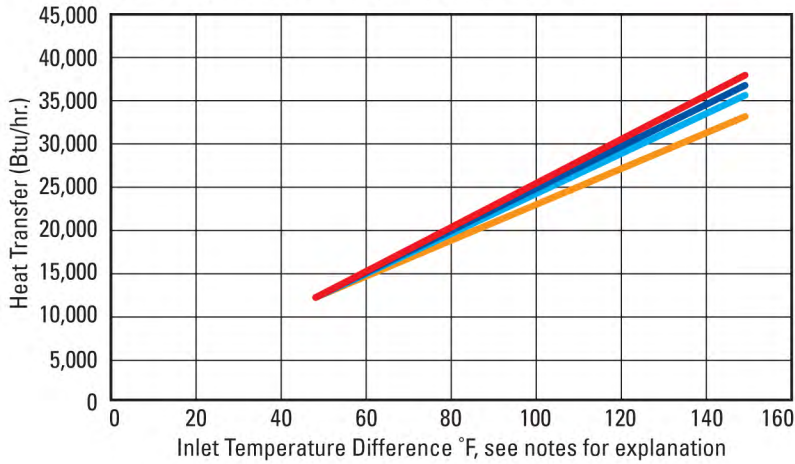


HK8-40, 8 Gallon Reservoir

## PERFORMANCE CURVES

The **Inlet Temperature Difference** is the difference between the inlet oil temperature and the inlet air temperature in °F. The Smaller this difference is, the less ability the heat exchanger has to cool the oil.

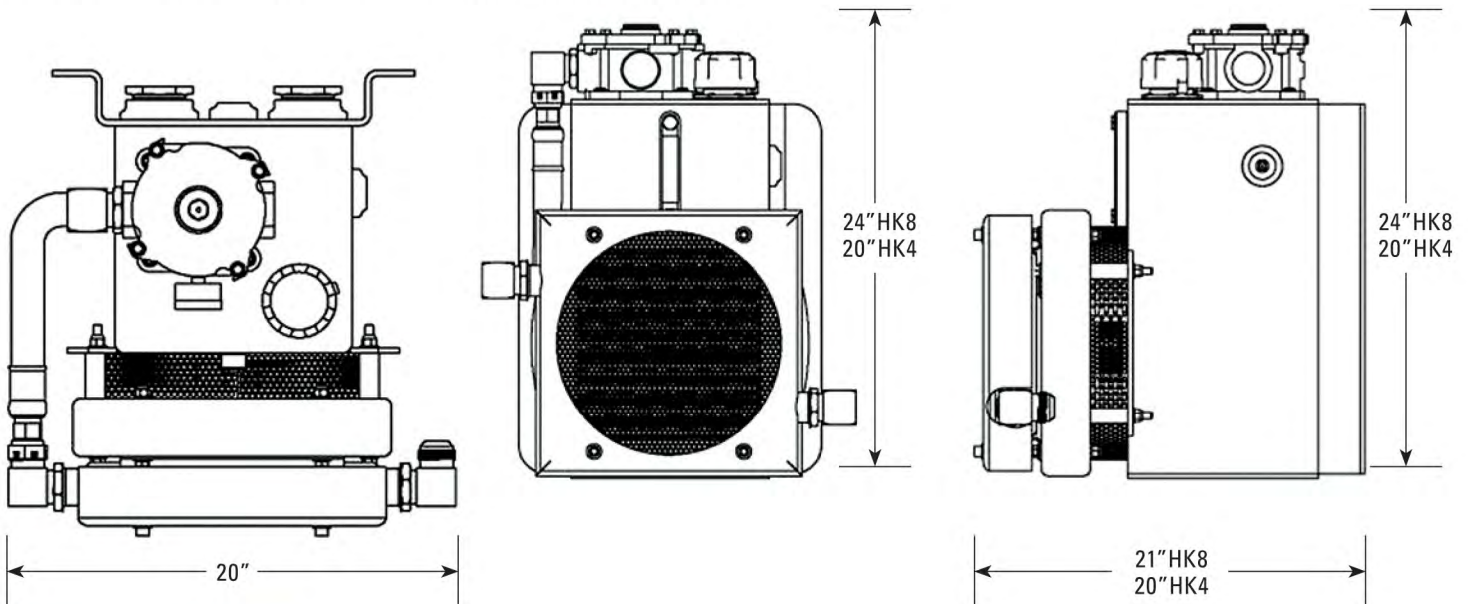
- 10 gpm
- 20 gpm
- 30 gpm
- 40 gpm



## PACKAGE DIMENSIONS

### Model Numbers

- |               |                    |                     |
|---------------|--------------------|---------------------|
| <b>HK4-20</b> | 4 Gallon Reservoir | 12VDC Fa            |
| <b>HK8-40</b> | 8 Gallon Reservoir | Hydraulic Fan Motor |



501 East Cliff Road  
Burnsville, Minnesota 55337  
1-888-99FORCE  
www.forceamerica.com

© 2006 FORCE America, Inc.  
FA906

### Service Centers and Sales

Bismarck, ND	800-624-7568	Fort Dodge, IA	800-362-2994
Charlotte, NC	800-788-8598	Kansas City, MO	800-383-4724
Chicago, IL	800-433-5765	Milwaukee, WI	800-722-5844
Columbus, OH	888-449-0356	Minneapolis, MN	800-328-2732
Dallas, TX	800-893-7225	Philadelphia, PA	800-492-6621
Denver, CO	888-833-7711	Salt Lake City, UT	877-230-0505