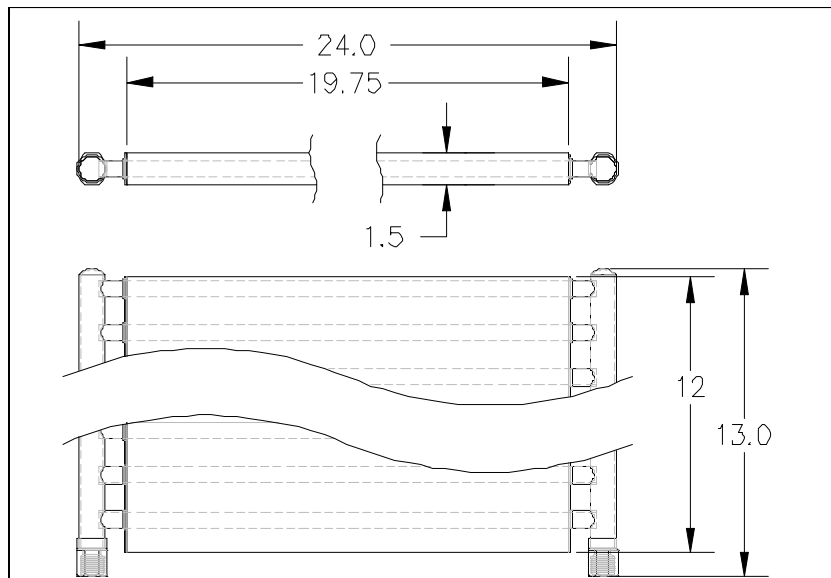
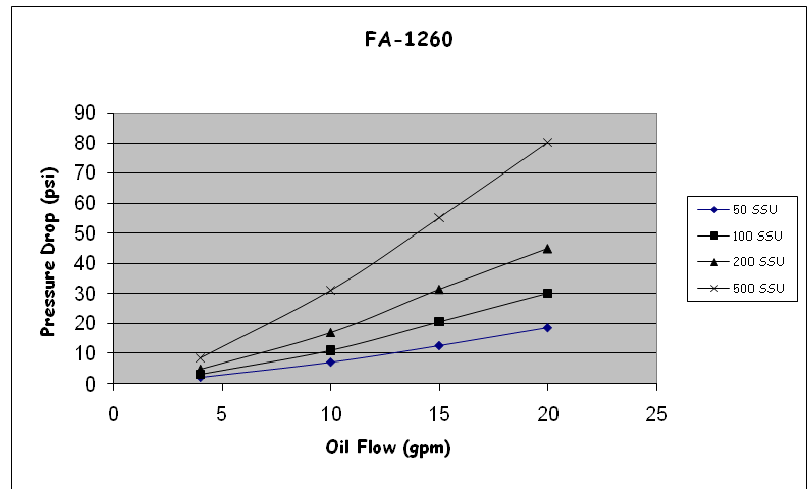
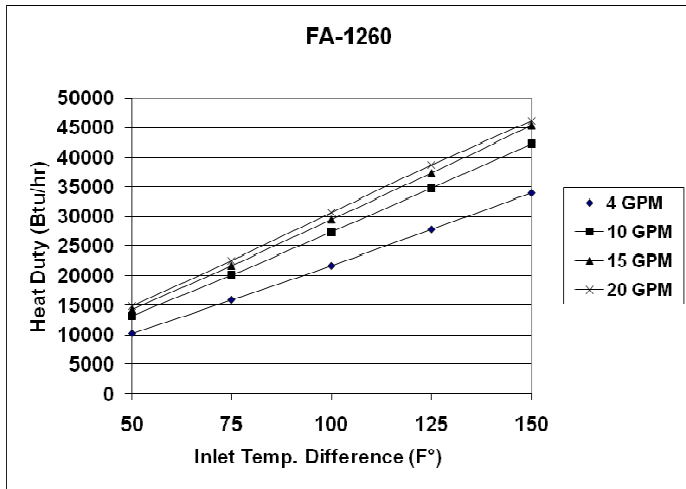


F E A T U R E S

FORCE America Coolers feature a unique Inner-Fin Turbulator. The Inner-Fin forces the fluid being cooled to flow over and through aluminum “fingers”, which provide turbulence to the fluid. This substantially increases heat transfer while minimalizing pressure drop through the cooler. Applications include: hydraulic fluid, hydrostatic fluid, gear box oil, engine oil, and diesel fuel.

- **Flow Range**
 - 4-20 GPM
- **Heat Rejection Range**
 - 22,000 – 31,000 BTU/Hr
- **Fitting Size**
 - #12 SAE
- **Unit Capacity**
 - 0.31 gallons
- **Material:**
 - Copper Tube.....CDA122
 - Inner Tube.....AI-3003
 - Inner Fin.....AI-1100
 - Outer Fin.....AI-1100
 - Fitting.....Copper
- **Cooler Weight**
 - Empty.....7.25 lbs
 - Filled with oil.....9.2 lbs





Optional 12 VDC Electric Fan:

DBEF-4012-12

Adapters:

6405-12-12 = -12 Male ORB TO -12 Female NPTF (straight)

6400-12-12 = -12 Male 37° TO -12 Male ORB (straight SAE 070120)

6900-12-12 = -12 Male ORB TO -12 Female NPSM (straight swivel SAE 140157)

6801-12-12 = -12 Male 37° TO -12 Male ORB (90° SAE 070220)



501 East Cliff Road
Burnsville, Minnesota 55337

1-888-99FORCE
www.forceamerica.com

©2009 FORCE America, Inc.
Part Number: FA1104

Service Centers and Sales

Bismarck, ND	800-624-7568	Fort Dodge, IA	800-362-2994
Charlotte, NC	800-788-8598	Kansas City, MO	800-383-4724
Chicago, IL	800-433-5765	Milwaukee, WI	800-722-5844
Columbus, OH	888-449-0356	Minneapolis, MN	800-328-2732
Dallas, TX	800-893-7225	Philadelphia, PA	800-492-6621
Denver, CO	888-833-7711	Salt Lake City, UT	877-230-0505