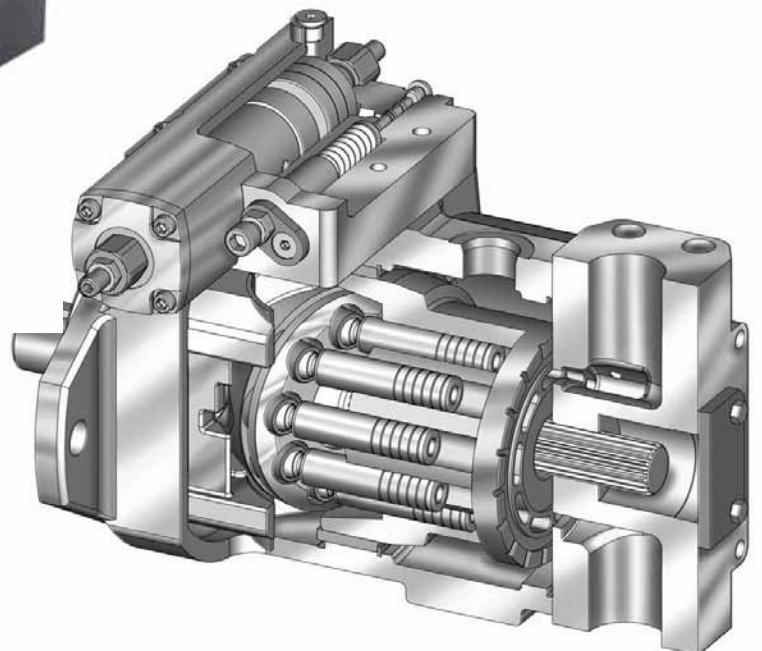


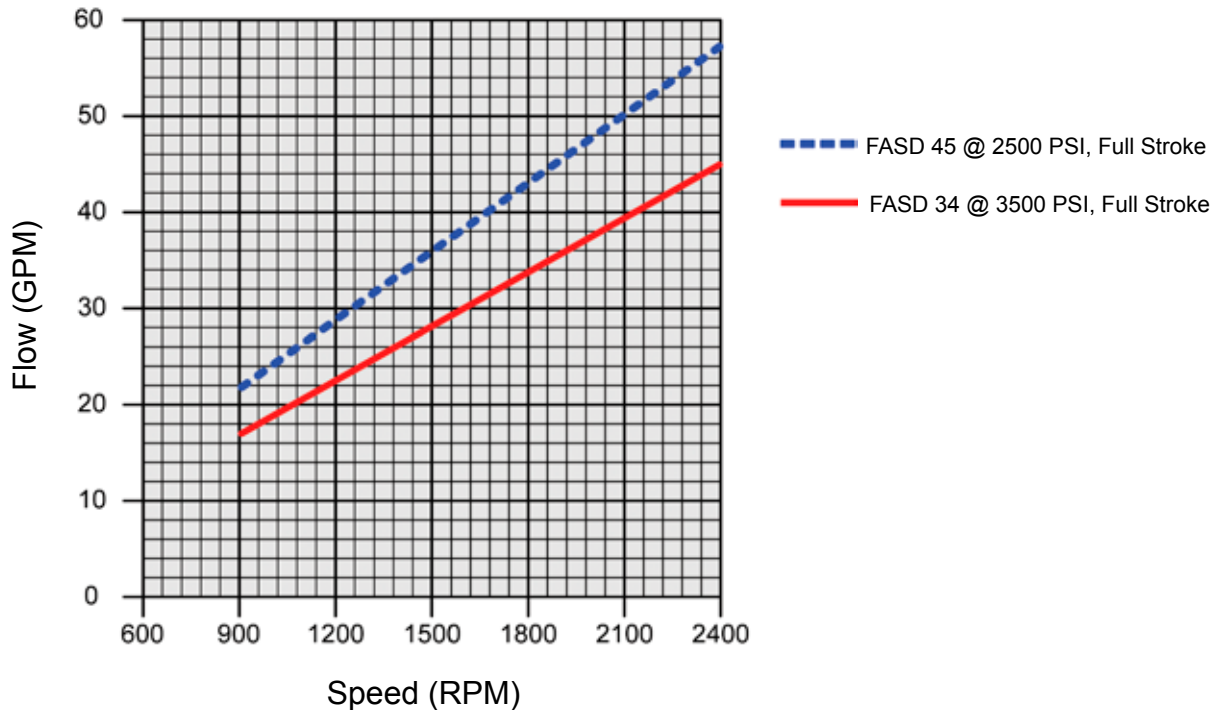
F E A T U R E S

FORCE America model FASD variable volume load sense piston pumps are specifically designed for severe duty mobile truck applications.

- High flow rates: 34-45 GPM (at 1800 RPM) 2400 RPM maximum speed
- High Pressure: intermittent pressure to 4000 PSI on FASD34, 3000 PSI on FASD45
- Severe duty high pressure (2000 PSI) outboard Teflon Shaft seal protects pump shaft bearing and seal from external contamination and salt spray
- Special hardening process on all wear surfaces
- Steel piston shoes for proven rotating group design
- O-ring housing seals, no gaskets!



Speed Versus Flow



The single pump flow curves are based on an oil temperature of 125°F(160SSU)

Available Models

FASD34-R	4.67 cu/in, right hand rotation, 1-1/4" round keyed shaft, SAE C 2-bolt mount
FASD34R-KIT	This kit includes pump, fittings, and adapters needed
FASD34-L	4.67 cu/in, left hand rotation, 1-1/4" round keyed shaft, SAE C 2-bolt mount
FASD34L-KIT	This kit includes pump, fittings, and adapters needed
FASD45-R	6.00 cu/in, right hand rotation, 1-1/4" round keyed shaft, SAE C 2-bolt mount
FASD45R-KIT	This kit includes pump, fittings, and adapters needed
FASD45-L	6.00 cu/in, left hand rotation, 1-1/4" round keyed shaft, SAE C 2-bolt mount
FASD45L-KIT	This kit includes pump, fittings, and adapters needed



501 East Cliff Road
Burnsville, MN 55337
1-888-99FORCE
www.forceamerica.com

© 2010 FORCE America, Inc.
Part Number: FA901

Service Centers and Sales

Bismarck, ND	800-624-7568	Fort Dodge, IA	800-362-2994
Charlotte, NC	800-788-8598	Kansas City, MO	800-383-4724
Chicago, IL	800-433-5765	Milwaukee, WI	800-722-5844
Columbus, OH	888-449-0356	Minneapolis, MN	800-328-2732
Dallas, TX	800-893-7225	Philadelphia, PA	800-492-6621
Denver, CO	888-833-7711	Salt Lake City, UT	877-230-0505