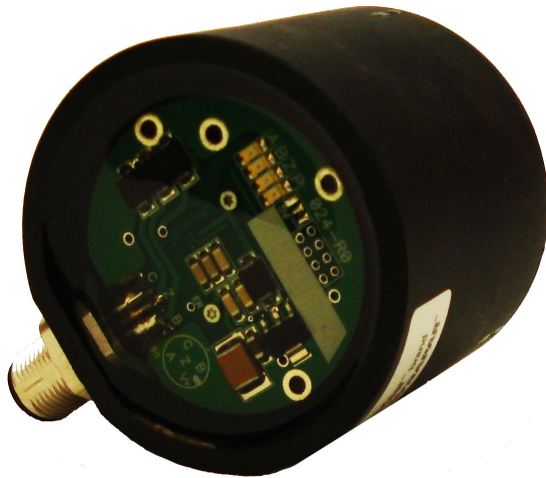
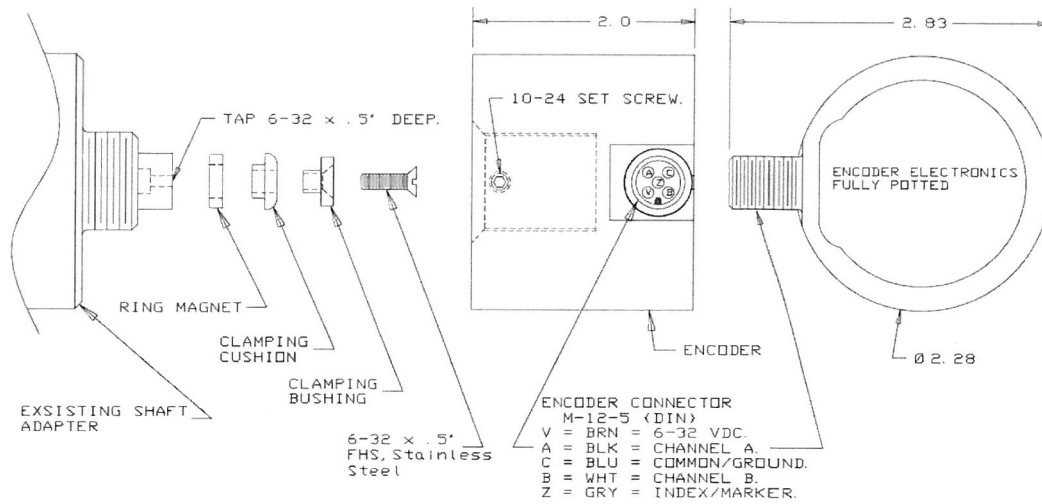


F E A T U R E S

Rugged, heavy-duty shaft encoder for spreader auger and conveyer shafts. Sealed to IP 68 and built to withstand harsh environments.

- Corrosion-proof Nylon Housing
Proven to resist salt corrosion
- Hall-effect technology-no moving parts
Long-life connection to coupler and auger shaft
- 512-Pulse/Revolution Sensor, no need for multipliers
- IP68 rated connector and cordset
Seals out water and contaminants
- Higher pulse/revolution
Offers increased spreader control stability for slow-turning conveyers or large diameter augers
- Low-profile body





CONNECTOR PIN OUT:

PIN.....	FUNCTION
1.....	Vcc
2.....	SIGNAL B
3.....	GROUND
4.....	SIGNAL A
5.....	N/C

Mating Connectors sold separately.

ENVIRONMENTAL:

OPERATION AND STORAGE TEMP.....	-40°C TO +80°C.
HUMIDITY.....	100%
SHOCK.....	50G's, 11mSEC DURATION
VIBRATION.....	5-2000 Hz @ 20G's
SHAFT LOADING.....	100lbs. AXIAL and RADIAL
SEALING.....	UNIT SEALED AGAINST OIL, CUTTING FLUIDS AND WATER
ENCLOSURE RATINGS.....	IP68 when connected

ELECTRICAL:

SUPPLY VOLTAGE (Vcc).....	+5 to +28VDC
CURRENT REQUIREMENTS.....	50mA MAX. (NO LOAD CONDITION)
OUTPUT FORMAT.....	SINGLE CHANNEL OUTPUT
RESOLUTION.....	512 PULSES/REV
OUTPUT CIRCUIT.....	2N2222 W/ 1kΩ PULL-UP
WAVEFORM DUTY CYCLE.....	50% +/-5% (FIXED & NON-ADJUSTABLE)



501 East Cliff Road
Burnsville, MN 55337
888-99FORCE
www.forceamerica.com

© 2010 FORCE America, Inc.

Sales and Service Centers

Bismarck, ND	800-624-7568	Fort Dodge, IA	800-362-2994
Charlotte, NC	800-788-8598	Kansas City, MO	800-383-4724
Chicago, IL	800-433-5765	Milwaukee, WI	800-722-5844
Columbus, OH	888-449-0356	Minneapolis, MN	800-328-2732
Dallas, TX	800-893-7225	Philadelphia, PA	800-492-6621
Denver, CO	888-833-7711	Salt Lake City, UT	877-230-0505